


For Low Pressure (Air)

LINE CUPLA

200T Type, 200L Type, 200S Type


Simple design air line coupling on manifold

Working pressure




1.5 MPa
(15 kgf/cm²)

Valve structure



One-way shut-off

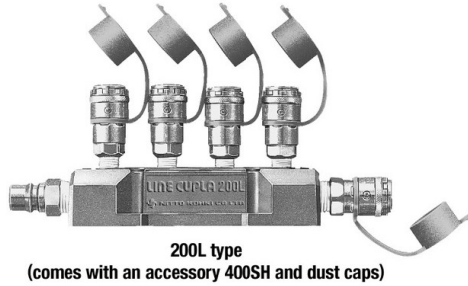
Applicable fluid



Air

Enables several air lines to be taken simultaneously from one supply line!

- Just push in the plug into socket for simple and secure connection.
- Multiple outlets are available from single air supply source.
- Choose from the 2-outlet type (Model 200T), the 5-outlet straight type (Model 200L) and the 5-outlet star type (Model 200S) to suit your application.



Specifications				
Body material	Body : Aluminum alloy, CUPLA : Steel (Chrome plated)			
Size	Inlet	200T Type : 20PM 200L Type / 200S Type : 400PM		
	Outlet	200T Type : 200-20SM 200L Type / 200S Type : 200-20SM, 40SM		
Pressure unit	MPa	kgf/cm ²	bar	PSI
Working pressure	1.5	15	15	218
Seal material	Nitrile rubber	NBR (SG)	-20°C to +60°C	Standard material
Working temperature range				

• The products come with dustproof caps.

Flow Direction

Fluid must run from the inlet port to the outlet ports.

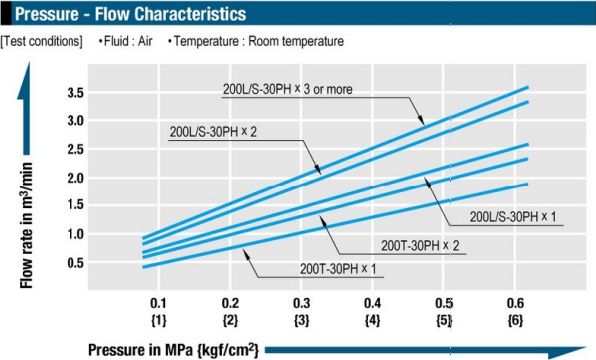
Interchangeability

Interchangeable with plugs of HI CUPLA models 10, 17, 20, 30 and 40.
Interchangeable with each models of NUT CUPLA series and HI CUPLA series.
Please see page 19 for "HI CUPLA Series Interchangeability".

Model	200T type, 200L type, 200S type
Minimum cross-sectional area	19 (mm ²)

Suitability for Vacuum

Not suitable for vacuum application in either connected or disconnected condition.



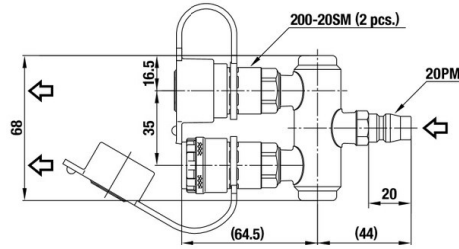
Models and Dimensions

WAF : WAF stands for width across flats.

Socket 200T type (For two outlets)

Mass : 272 g

- Fluid must run in the direction of the arrow.
- The product comes with dust caps.

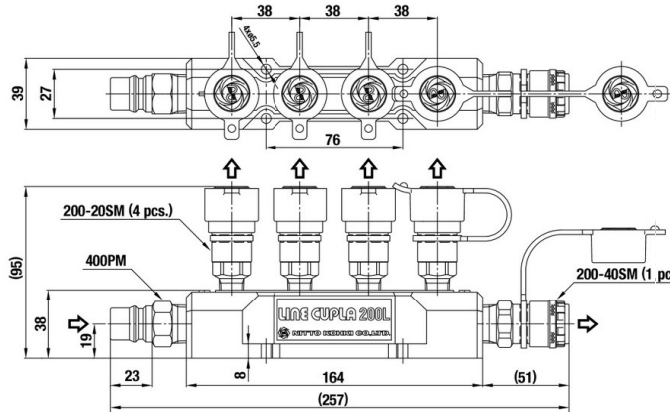


Dimensions (mm)

Socket 200L type (For five outlets, in-line type)

Mass : 890 g

- Fluid must run in the direction of the arrow.
- The product comes with dust caps.
- Accessory : 400SH

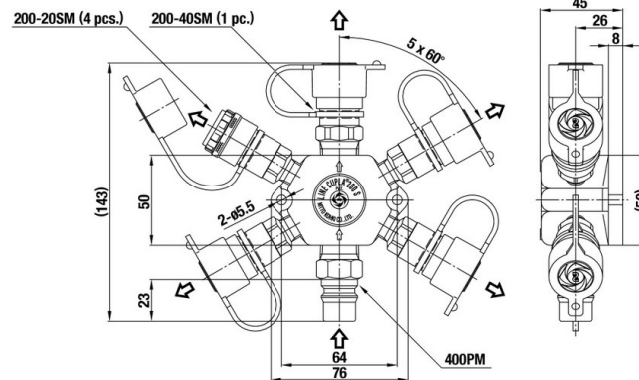


Dimensions (mm)

Socket 200S type (For five outlets, star type)

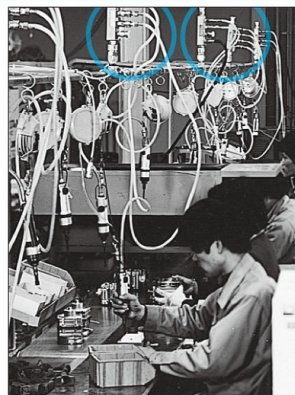
Mass : 769 g

- Fluid must run in the direction of the arrow.
- The product comes with dust caps.
- Accessory : 400SH



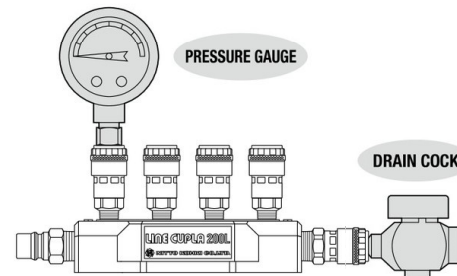
Dimensions (mm)

Application Example



Optional Items : PRESSURE GAUGE and DRAIN COCK

"PRESSURE GAUGE" and "DRAIN COCK" are available as optional items to be mounted on LINE CUPLA 200. (See page 151)



Appearance subject to change for improvement without notice.

Before use, please be sure to read "Safety Guide" described at the end of this book and "Instruction Sheet" that comes with the products.